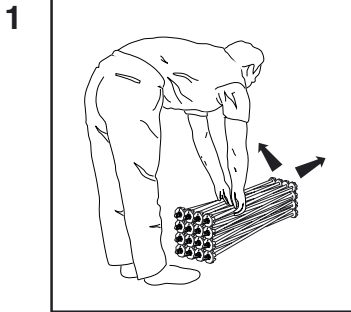
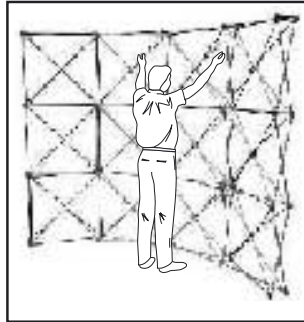


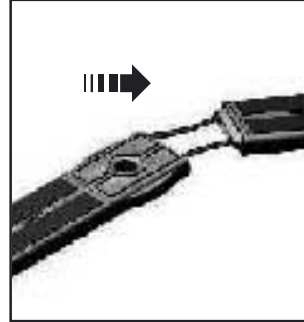
**10' SUPER  
SET UP INSTRUCTIONS**



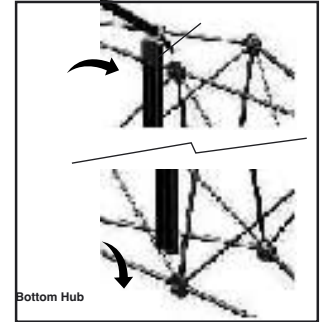
Remove the frame from the case and place it on the floor. Face the yellow dots on the bottom row of the frame towards you. Grasp the upper ends of the frame and pull up and outward.



Continue pulling up and outward until the frame is fully expanded. The frame will want to pop into the fully open position once it has been partially expanded.

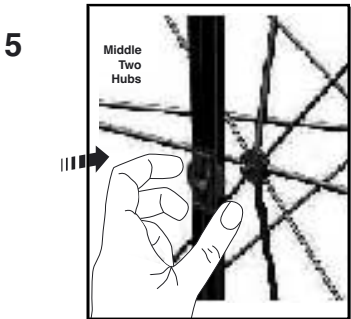


Connect each three-section channel bar assembly by inserting the sections that are pre-attached with bungee cords. By straightening out the channel bar assembly the bungee cords will automatically align the assembly.



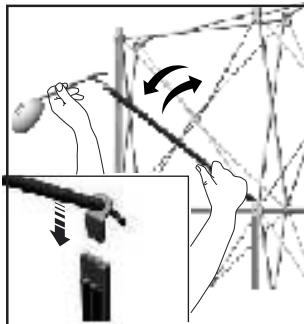
Bottom Hub

Place the channel bar assembly onto the frame by first attaching it to the top hub. Slide it onto the top hub, then slide the lower channel bar onto the bottom hub. Slide gently downward to engage.

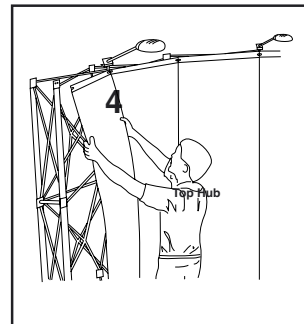


Middle Two Hubs

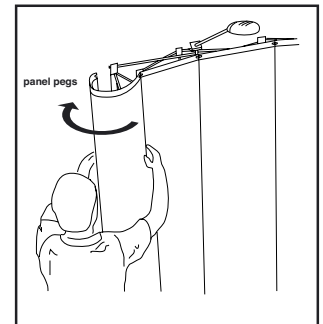
Attach the center sections of the channel bar assembly to the middle two hubs by pushing the channel bar assembly onto the hub. The bushing on the hub should engage through the hole in the connector assembly. Repeat for remaining channel bars at all panel locations.



To attach light fixtures, first dis-engage the upper channel bar from the top hub and tilt downward. Push the light fixture down into the top of the channel bar. Tilt channel bar with light fixture back up and re-engage top hub. Drape cable over back of frame.

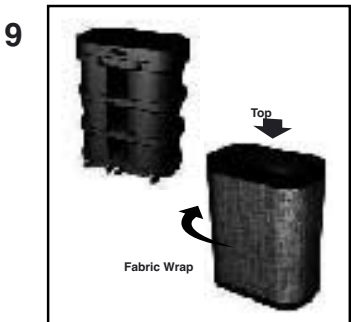


Grasp front panel 1/3 from the top. Lift panel and guide notches of plastic strip over the pegs in the top of the channel bar. Release the panel, allowing it to attach magnetically to the channel bar assembly. Straighten each panel by aligning it to the center of the channel bar slots.



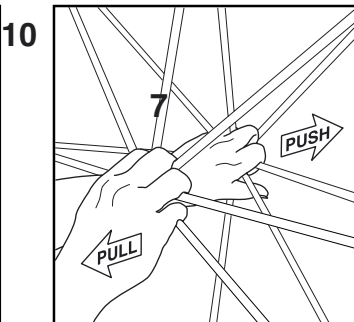
panel pegs

Lift the end panel and guide front notch of plastic strip over the front peg at top of channel bar. Hook other side on the panel peg at back of the frame. Slowly run your hands down sides of the panel, aligning magnetic strips to the channel bars and straightening as you go downward.



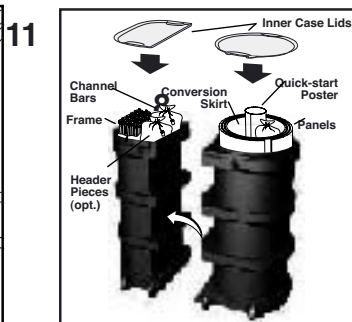
Top  
Fabric Wrap

To convert the empty case into a counter, wrap the fabric skirt panel around case as shown and velcro the ends together. Place the counter top onto the top of the case, attaching it to the Velcro on the surface.



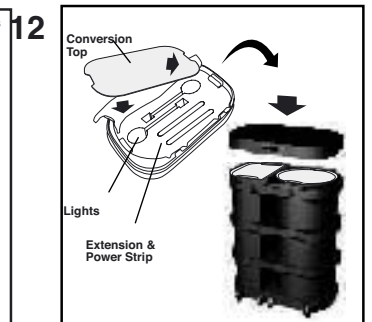
7

To close the frame, push and pull from the middle of the frame while grasping the hubs as shown. Once the frame starts to collapse, move hands away from the hubs to avoid pinching. Do not pull tubing alone.



Inner Case Lids  
Channel Bars  
Conversion Skirt  
Quick-start Poster  
Frame  
Header Pieces (opt.)  
Panels

To pack, roll up panels w/fabric (graphic) surface to the inside. Insert into round side of case. Place frame & channel bars into bags, insert into other side of case. Snap inner case lids down into corresponding case sections. Case sections may now be separated for easier transportation.



12

Conversion Top  
Lights  
Extension & Power Strip

Pull back the foam cover inside the main lid to insert the lights, extension cord and power strip. Replace foam and insert the conversion top (first push in left side then drop right side). Top should fit snugly between the two foam blocks. Flip over Lid and latch down onto both case sections.