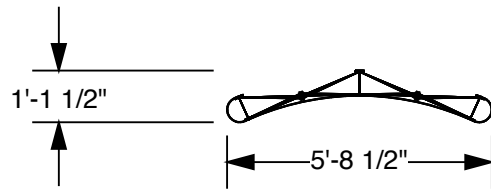
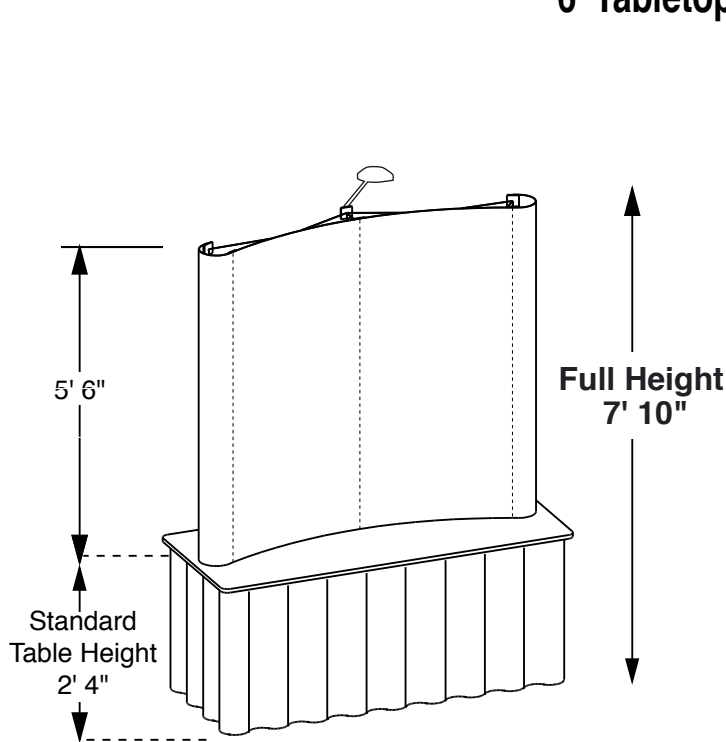


**CURVED UNIT *SUPER* PACKAGE**  
**6' Tabletop**



**COMPLETE PACKAGE**  
Displays on the Net Price  
**\$795!**

**Hardware Pkg. Includes:**  
1- Frame-6 ft. Tabletop Frame  
6 - Hinged Channel Bars  
1- Wheeled Shipping Case  
1- 200 Watt Halogen Light  
**Panel Set Includes:**  
2 - Tabletop Front Panels  
2 - Tabletop End Panels (round)

Graphics Not Included

**Basic Package (as shown above):**

- 1- Frame
- 6- Hinged Channel Bars
- 1- Wheeled Shipping Case
- 2- Front Panels, 2-End Panels
- 1- 200 Watt Halogen Light Package

**WEIGHT TOTAL:** 45 lbs/ 20.41 kg      **RETAIL PACKAGE TOTAL:** ~~\$1327.00~~

**OPTIONS INCLUDE:**

Photomural Panels, Detachable Graphics, Wrap Around Header Graphic